

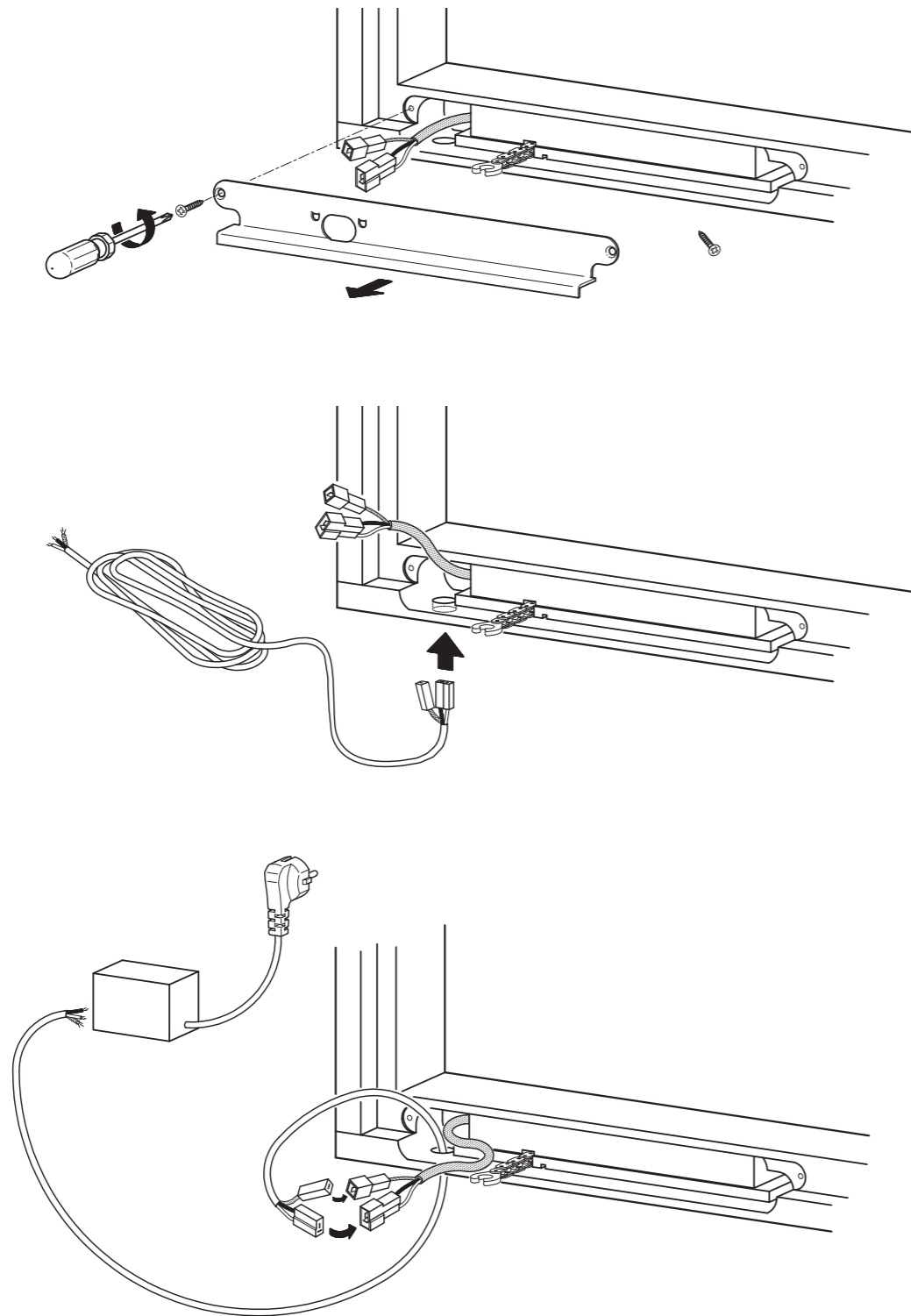
WindowMaster - snap plug and cables  
 WindowMaster - snapstik og ledninger  
 WindowMaster - snabbkontakt och ledningar  
 WindowMaster - Stecker und Kabel

One motor:

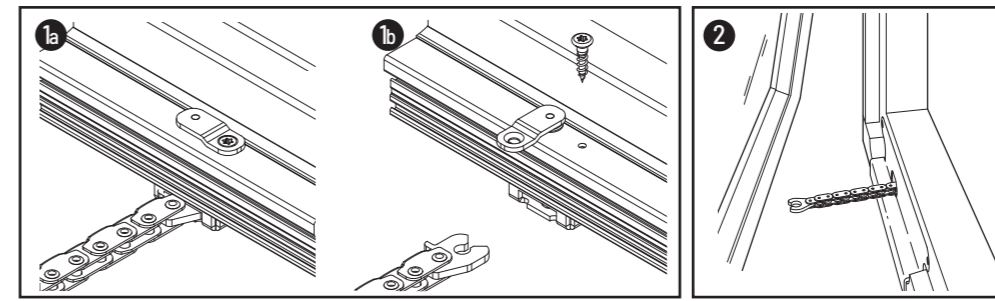
En motor:

En motor:

Ein Motor:



1. First open the window, then disconnect the chain (4x20 US screw):



2. To reconnect the chain, power the chain out to meet the sash.

More motors:

Flere motorer:

Flera motorer:

Synchronisierte Motoren:

